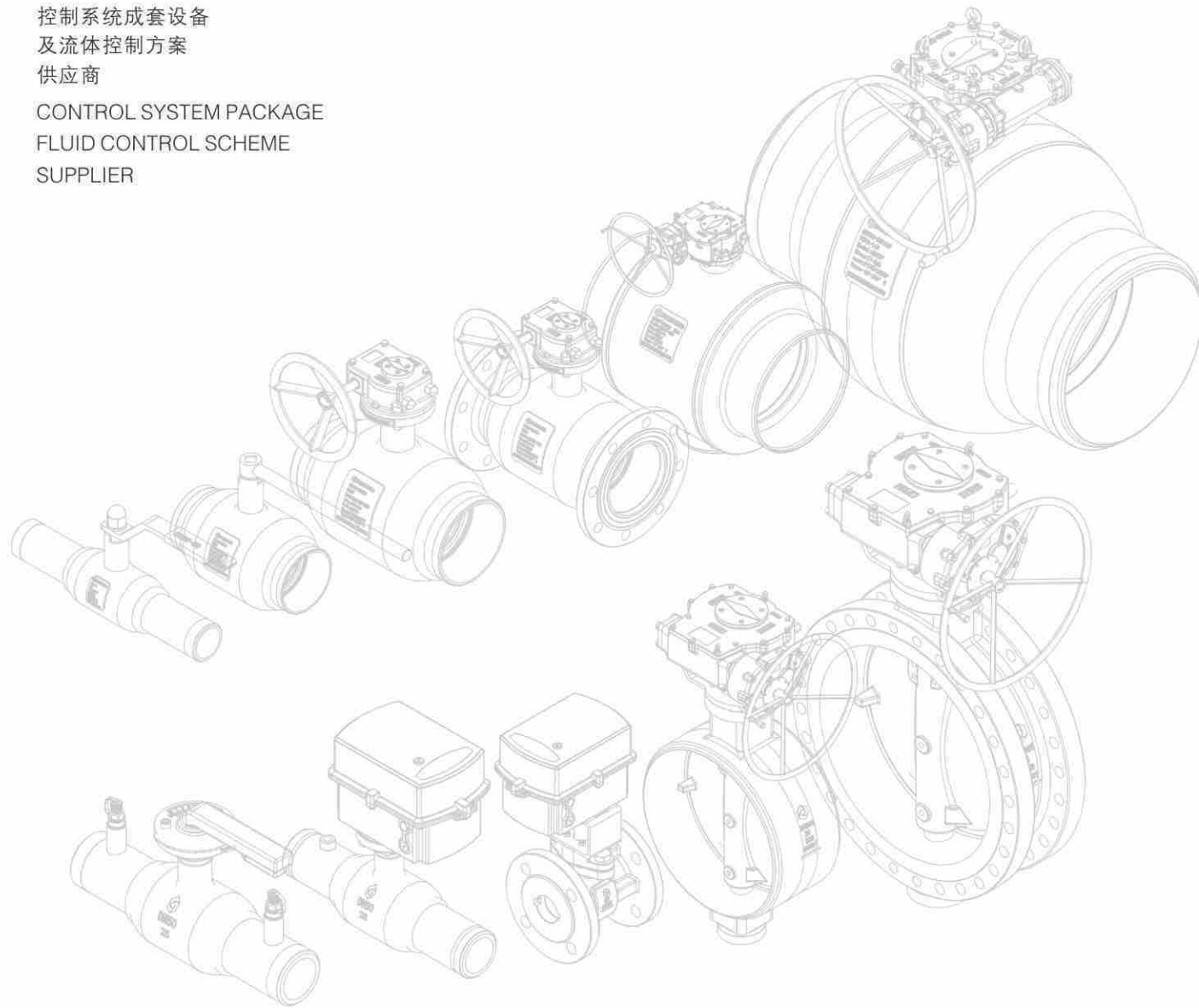


控制系统成套设备
及流体控制方案
供应商

CONTROL SYSTEM PACKAGE
FLUID CONTROL SCHEME
SUPPLIER



江苏沃圣阀业有限公司

Jiangsu Wosheng Valve Industry Co.,Ltd.

工厂地址：江苏省常州市新北区春江镇振兴路80-6号

电话：0519-86059222 86059333

传真：0519-86059555

电话：18911285082 18901177183

电话：010-80807866

网址：www.jswsfy.com

邮箱：ws@jswsfy.com

④ 本手册的资料和数据随时可能进行更新调整，恕不另行通知。

⑤ 更多详细资料，请来电来函索取。

⑥ 采用生态纸印刷。



控制系统成套设备
及流体控制方案
供应商

CONTROL SYSTEM PACKAGE
FLUID CONTROL SCHEME
SUPPLIER

www.jswsfy.com



WOSHENG

江苏沃圣阀业有限公司

江苏沃圣阀业有限公司

Jiangsu Wosheng Valve Industry Co.,Ltd.

ENTERPRISE INTRODUCTION

Jiangsu Wosheng
Valve Industry
Co.,Ltd.

挚诚 完美 交流 全面 快捷

服务热线: 010-80807866

www.jswsfy.com



江苏沃圣阀业有限公司是控制系统成套设备及流体控制方案供应商,公司座落于风景如画的江南历史名城——常州,紧邻上海、南京和苏州。公司厂房占地面积10000多平米,员工人数112余人,研发设计团队15人,拥有年产100万台阀门的生产能力。在北京专门设有销售总公司-北京沃圣阀门销售有限公司和江苏沃圣阀业有限公司北京分公司,下属设有销售部门十几处,负责中国地区的销售及提供相关技术服务,在全体员工的不懈努力下,沃圣阀业产品赢得了用户的广泛好评。

江苏沃圣阀业有限公司一直致力于闸阀、球阀、截止阀、止回阀、蝶阀、智能温控平衡阀的研发、制造、销售及市场推广,通过公司所有人持续不断的努力,不断地发展至今成为国内外市场领先的阀门制造商。

我公司研发和生产的阀门产品广泛应用石油化工、医药化工、冶金化工、城市给排水、污水处理、环保、电力、供热、楼宇、消防等领域。为了保证产品质量,所有产品都严格按照国际标准生产,无论是生产管理,还是质量保证体系均全方位的采用国际先进模式,始终处于行业领先水平。

我公司售后服务中心实行售前、售中、售后的跟踪服务,24小时售后服务热线。建立行之有效的、完善的售后服务保障体系。

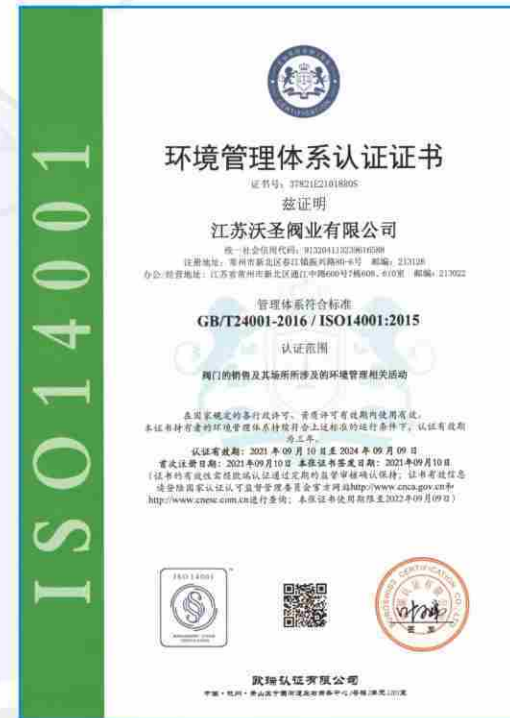
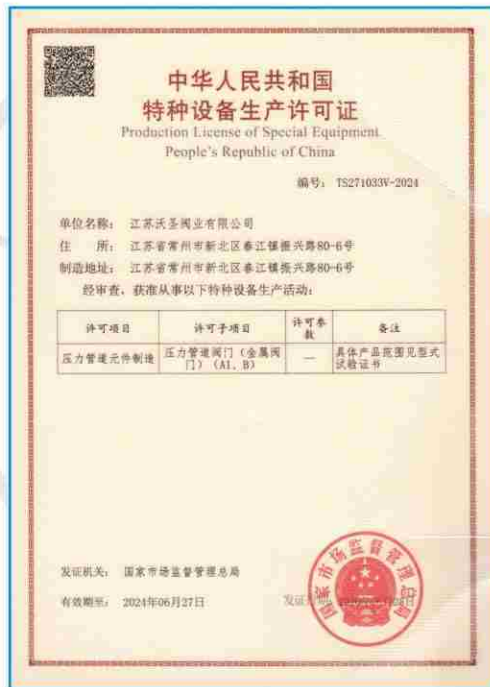
Jiangsu Wosheng Valve Industry Co., Ltd. is a supplier of complete sets of control system equipment and fluid control solutions. The company is located in Changzhou, a picturesque historical city in south China, close to Shanghai, Nanjing and Suzhou. Company plant covers an area of more than 10,000 square meters, more than 112 employees, R & D design team of 15 people, with an annual production capacity of 1 million units of valves. Has sales corporation specialized in Beijing - Beijing WoSheng valve sales co., ltd. and Jiangsu WoSheng valve industry co., LTD., Beijing branch, a dozen subordinate has sales department, responsible for sales in China and provide related technical services, under the tireless efforts of all staff, WoSheng valve industry product users won wide praise.

Jiangsu Wosheng Valve Industry Co., Ltd. has been committed to gate valve, ball valve, globe valve, check valve, butterfly valve, intelligent temperature control balance valve research and development, manufacturing, sales and marketing, through the continuous efforts of all the company's people, and has continuously developed into a leading valve manufacturer at home and abroad.

The valve products developed and produced by our company are widely used in petrochemical industry, pharmaceutical chemical industry, metallurgical chemical industry, urban water supply and drainage, sewage treatment, environmental protection, electric power, heating, building, pharmaceutical, gold, fire and other fields. In order to ensure product quality, all products are produced in strict accordance with international standards, both production management, and quality assurance system are comprehensive use of international advanced mode, always in the industry leading level.

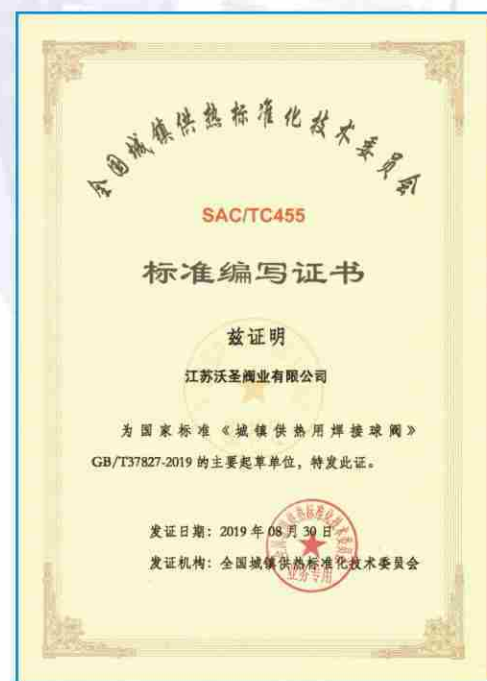
Our after-sale service center implements pre-sale, sale, after-sale tracking service, 24 hours after-sale service hotline. Establish effective and perfect after-sale service guarantee system.





Enterprise Qualification Jiangsu Wosheng Valve Industry Co., Ltd.

多年来, 沃圣坚持以质量为企业的生命, 坚持变革创新确保企业永远充满活力, 给未来发展创造更多机会, 也得到社会各界认可. These years, Wosheng insists on taking quality as the life of the enterprise, Adhere to reform and innovation to ensure that enterprises are always full of vitality, Create more opportunities for future development, It has also been recognized by all sectors of society.





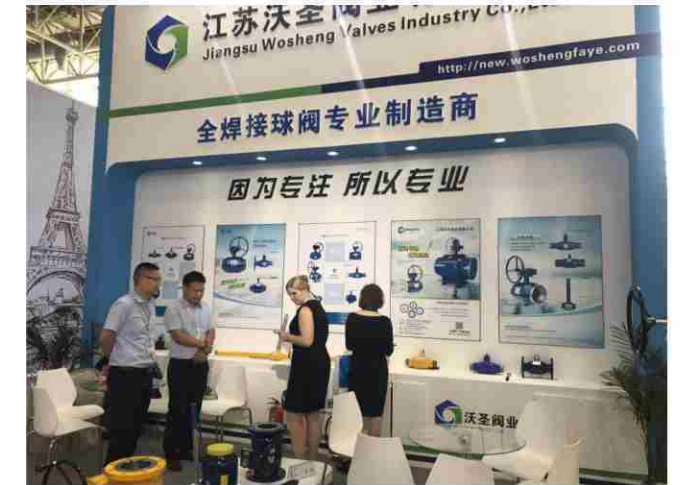
Produce
Equipment
Jiangsu Wosheng
Valve Industry
Co.,Ltd.



WoSheng Concept

Jiangsu Wosheng Valve Industry Co.,Ltd.

专业专注
世界再大未改初心
我们相信一次专注的行为，胜过千万次浅尝辄止
在沃圣，我们追求专业专注
以细致成就极致，精益求精
Professional focus
No matter how big the world is,
it has not changed its original heart
We believe that a single act of concentration is
better than a thousand times In wosheng,
we pursue professional focus
Achieve perfection with meticulous and
keep improving



企业文化

Enterprise Culture

Honesty Sincerely

Jiangsu Wosheng Valve Industry Co.,Ltd.

诚信诚意
道路再长，不变方向
我们相信言行一致的诚恳，胜过千万句花言巧语
在沃圣，我们奉行诚信诚意
以品质塑造价值，诚信天下
Honesty and sincerity
No matter how long the road is,
the direction will not change
We believe that the sincerity of consistent words and
deeds is better than thousands of sweet words
In wosheng, we pursue honesty and sincerity
Create value with quality and trust the world

长输管网系列



城市管网系列



楼宇管网系列



目录 CONTENTS

解决方案.....	01-02
SOLUTION	
集中供热关断与控制全套方案.....	03-04
COMPLETE SCHEME OF CENTRAL HEATING SHUTDOWN AND CONTROL	
全焊接浮动球阀.....	05-14
ALL WELDED FLOATING BALL VALVE	
全焊接固定球阀.....	15-22
ALL WELDED FIXED BALL VALVE	
过滤网焊接球阀.....	23-24
FILTER WELDED BALL VALVE	
全焊接三通球阀.....	25-26
ALL WELDED THREE-WAY BALL VALVE	
全焊接加长杆直埋球阀.....	27-30
ALL WELDED EXTENSION ROD DIRECTLY BURIED BALL VALVE	
圆体固定球阀.....	31-34
ROUND BODY FIXED BALL VALVE TYPICAL STRUCTURE	
“W”型物联网平衡阀.....	35-42
“W” IOT BALANCING VALVE	
蝶阀.....	43-48
BUTTERFLY VALVE	
智能温控动态平衡阀.....	49-54
INTELLIGENT TEMPERATURE CONTROL DYNAMIC BALANCE VALVE	
工程业绩.....	55-56
PROJECT PERFORMANCE	

Solution

Jiangsu Wosheng Valve Industry Co.,Ltd.

沃圣严格品控标准 · 4项检测服务
Strict quality control standards · 4 testing services



材料审核

沃圣对所有进来的材料进行了严格的审查，进行了广泛的测试，并坚持对原材料供应商进行评审，选择优质的供方按标准检查验收。

无损检查 (NDE)

作为其持续进行的质量计划的一部分，沃圣进行了全方位的无损检测。尽早发现不合格产品、改进生产制造工艺、提高产品质量的可靠性。

生产测试

20万次开合，经久耐用，通过200000次开关寿命测试，是行业标准GB/T26712-2011要求的20倍，经久耐用（内部测试数据，仅供参考）。

特殊测试

可以根据用户的要求进行各种特殊测试。请告诉我们您需要什么测试。100%检验制度，实行全过程质量监控，细致入微，全方位检测。



Material review

Watson has strictly reviewed all incoming materials, conducted extensive tests, insisted on reviewing raw material suppliers, and selected high-quality suppliers for inspection and acceptance according to standards.

Non destructive examination (NDE)

As part of its ongoing quality program, Watson conducted a full range of nondestructive testing. Find unqualified products as soon as possible, improve production and manufacturing process and improve the reliability of product quality.

Production test

200000 opening and closing times, durable. It has passed 200000 switch life tests, 20 times that required by the industrial standard GB / T26712-2011. It is durable (internal test data, for reference only).

Special test

Watson can carry out various special tests according to the requirements of users. Please tell us what tests you need. 100% inspection system, implement the whole process quality monitoring, meticulous and all-round inspection.



沃圣阀业 · 售前6大服务体系 Six pre-sales service systems

01 了解客户需求

与您详细沟通，详细了解您的需求，解决您的实际产品需求问题。

02 产品选型介绍

将根据您的产品需求与您介绍，更适合您需求的产品型号或定制产品类型。

03 产品功能介绍

由专业技术团队为您详细介绍产品功能，产品价值及使用方法。

04 制定解决方案

由专业技术团队全程跟进，为您提供一站式服务，解决方案，始终如一。

05 提供报价方案

针对产品方案，由专人为您提供产品报价方案，并全程跟进。

06 交货周期确定

与您确认交货周期，常规产品一周内发货，定制产品一周内打样。

Understand customer needs

Communicate with you in detail, understand your needs in detail, and solve your actual product needs.

Introduction to product selection

According to your product requirements, we will introduce to you the product model or customized product type more suitable for your needs.

Product function introduction

The professional technical team will introduce the product function, product value and use method in detail.

Develop solutions

The professional technical team will follow up the whole process to provide you with one-stop service and solutions.

Provide quotation scheme

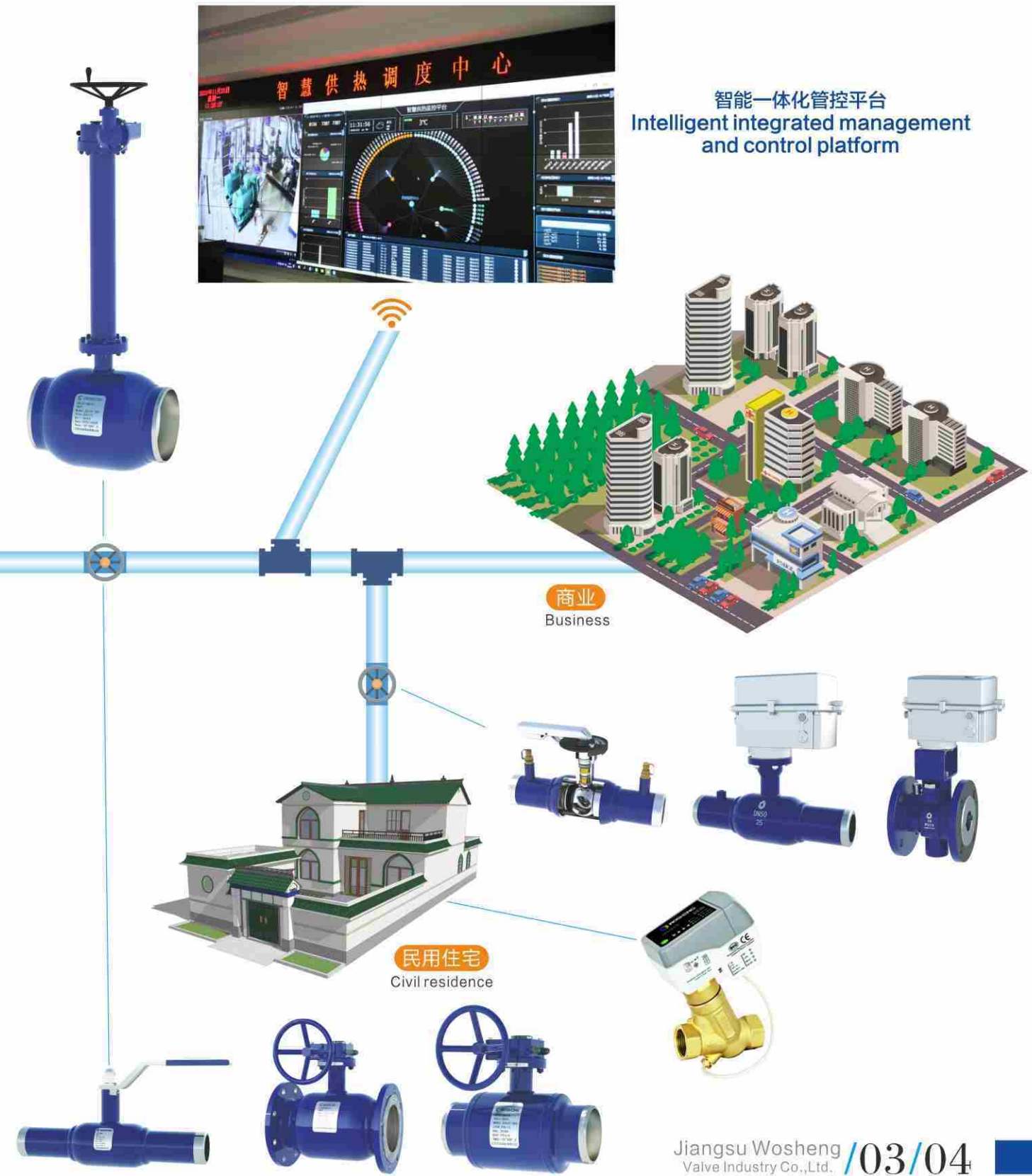
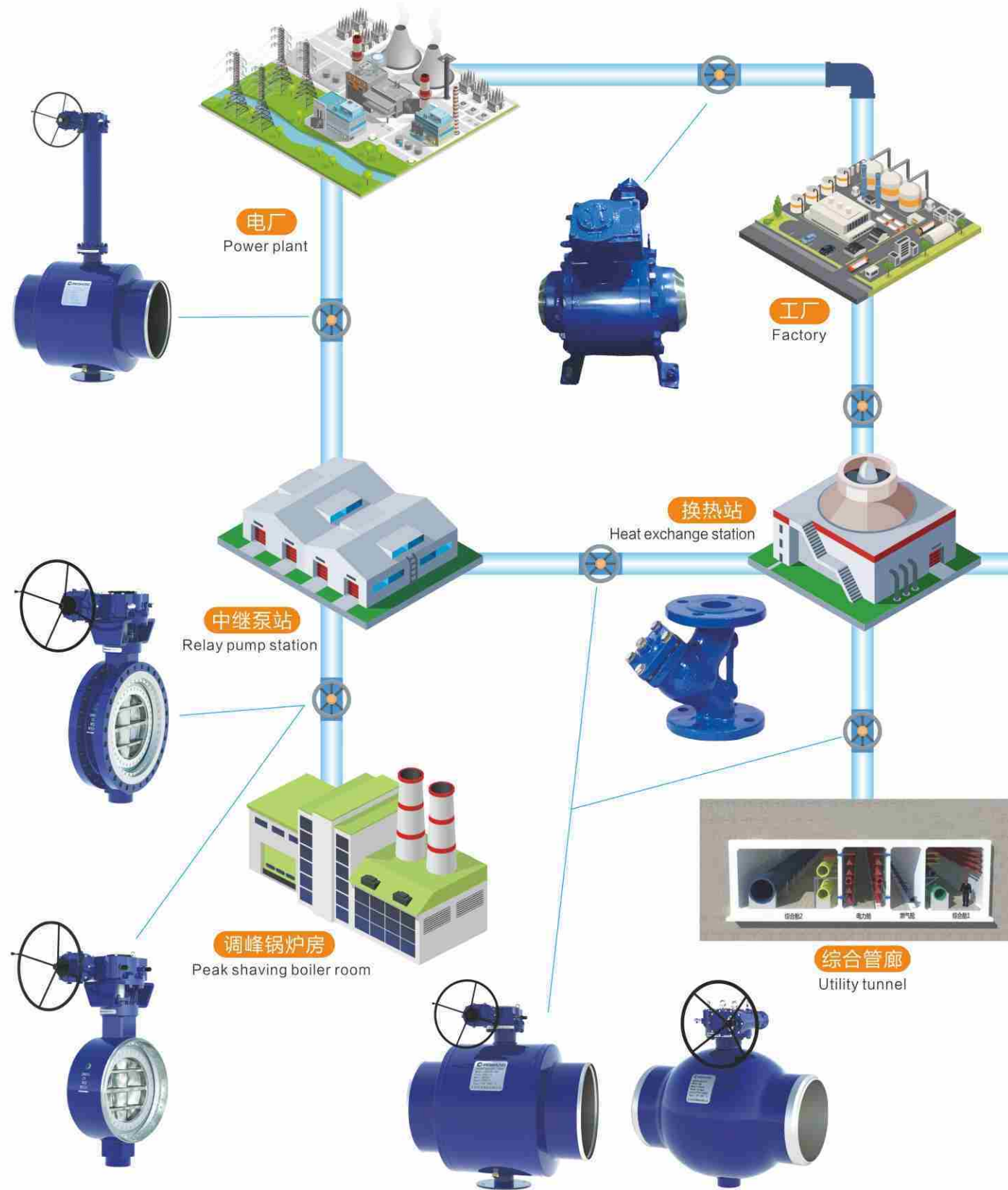
For the product scheme, a specially assigned person will provide you with the product quotation scheme and follow up the whole process.

Determination of delivery cycle

Confirm the delivery cycle with you. Regular products will be delivered within one week, and customized products will be proofed within one week.

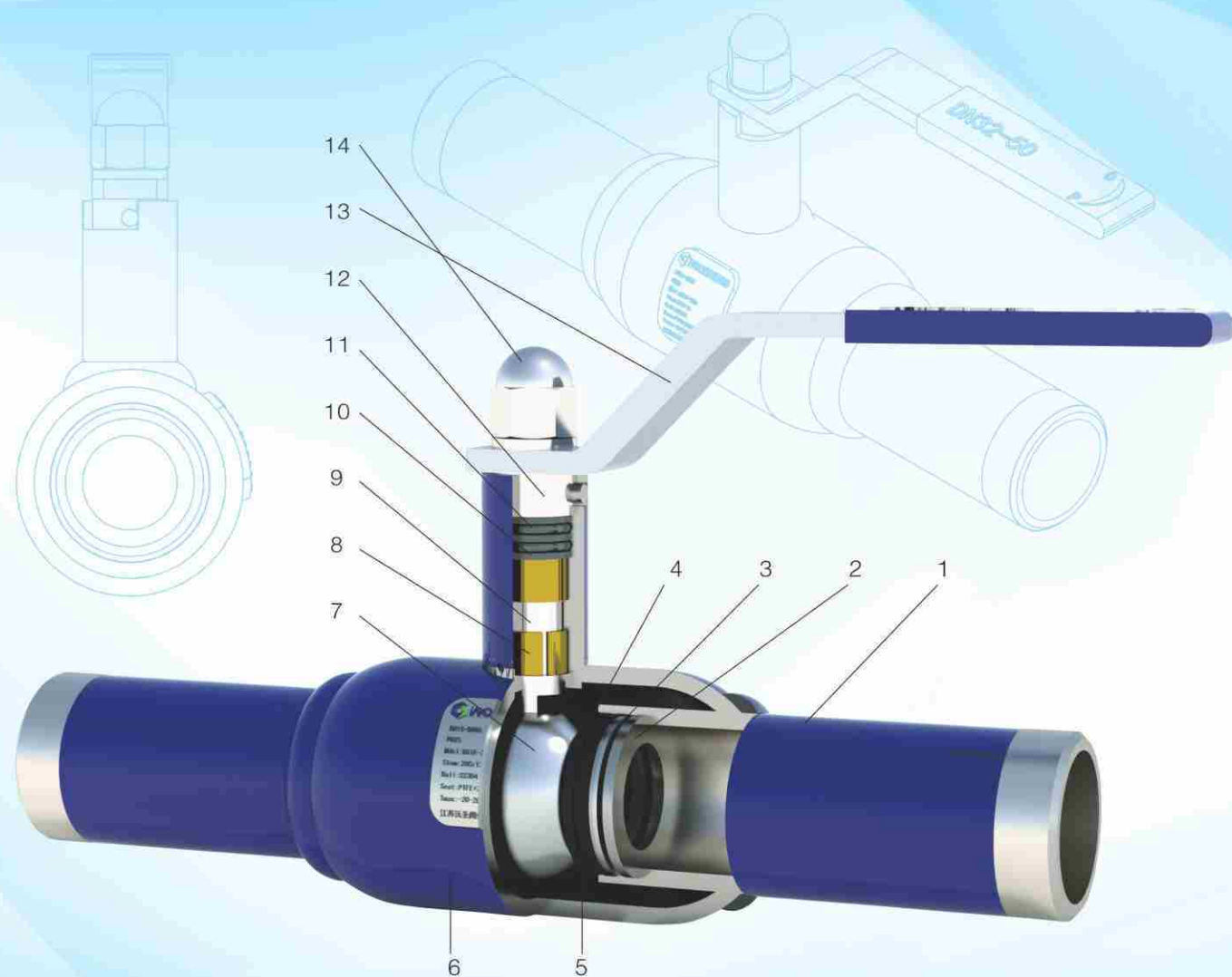


Complete scheme of central heating shutdown and control



ALL WELDED FLOATING BALL VALVE

>> 全焊接浮动球阀



全焊接球阀用途

Application of all welded ball valve

城市集中供热支线、热交换机组管道的关断、电厂各个支线

钢铁厂的热水管线、其他行业供热

Urban central heating branch, Shutdown of heat exchange unit

Each branch of power plant, Hot water pipeline in steel works

Heating in other industries

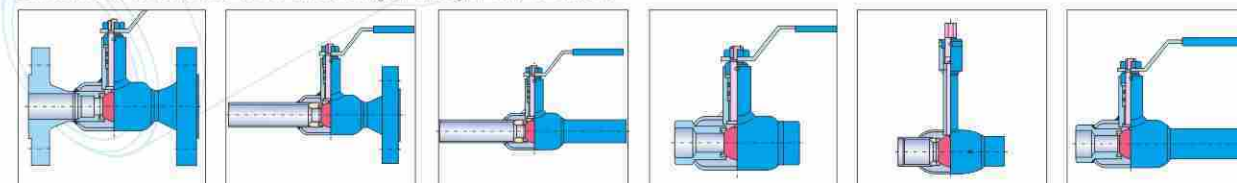
零部件材料 COMPONENT MATERIALS

序号 Item	零件名称	Part name	材质 Material
1	边管	Side tube	20#
2	碟簧垫圈	Disc spring washer	SS 304
3	碟簧	Disc spring	65Mn
4	阀座垫圈	Seat washer	SS 304
5	阀座	Seat	CPTFE
6	阀体	Body	20#
7	球体	Sphere	SS 304
8	阀套	Sleeve	PTFE+Cu
9	阀杆	Stem	20Cr13
10	填料垫圈	Packing washer	RPTFE
11	O型圈	O-ring	VITON-B
12	填料压盖	Packing gland	S 420
13	手柄	Handle	20#+Zn
14	手柄并帽	Handle and cap	SS 304

连接方式 CONNECTION MODE

连接端：对焊、对焊/法兰、法兰、螺纹/焊接

Ends: butt weld, butt weld and flange, flange, All-welded



各种操作方式 VARIOUS DRIVING TYPES

沃圣可提供各种类型的阀门执行机构：手动、气动、电动、液动、气液联动。具体型号根据阀门力矩选型。

WOSHENG can offer all the type of actuators and manufactures, manual, electrical, pneumatic and pneumatic-hydraulic.

因为专注·所以专业
Because focus·So professional



弯柄



直柄

HANDLE WELDED BALL VALVE

>> 手柄全焊接球阀

Q61F-16~64

口径范围: DN15~DN150

压力范围: PN16~PN64

适用介质: 热水, 蒸汽, 天然气等...

应用领域: 供热, 电力, 化工, 冶金

Diameter range: DN15 ~ DN300

Pressure range: PN16 ~ PN64

Applicable media: hot water, steam, natural gas, etc

Application fields: heating, electric power, chemical industry, metallurgy

技术特点

球体表面精磨, 阀门扭矩更低。

进口密封材质, 阀门耐高温, 使用寿命更久。

特殊的阀杆密封设计, 便于阀杆密封带压更换。

特殊的表面处理, 使阀门的防锈防腐性能更好。

TECHNICAL FEATURES

The ball surface is finely ground, and the valve torque is lower.

Imported sealing material, the valve has higher temperature resistance and longer service life.

The special valve stem seal design facilitates the replacement of valve stem seal under pressure.

Special surface treatment makes the antirust and anti-corrosion performance of the valve better.



因为专注·所以专业
Because focus·So professional

WOSHENG
DN150~DN350
PN25
Model: Q341F-25C
Stem: 20Cr13
Ball: SS304
Seat: PTFE+20%CF
Tmax: -29~200° C
江苏沃圣阀业有限公司

WORM GEAR ALL WELDED BALL VALVE

>> 蜗轮全焊接球阀

Q361F-16~64

口径范围: DN150~DN350

压力范围: PN16~PN64

适用介质: 热水, 蒸汽, 天然气等...

应用领域: 供热, 电力, 化工, 冶金

Diameter range: DN150 ~ DN350

Pressure range: PN16 ~ PN64

Applicable media: hot water, steam, natural gas, etc

Application fields: heating, electric power, chemical industry, metallurgy

技术特点

优于其它阀门的流通能力。

阀座采用压缩空气设计, 保证阀座内外压差平衡, 长期使用扭矩无变化。

蜗轮采用进口型外观, 设计防水防尘结构可达IP68。

阀门密封采用碳化特氟龙及合金弹簧组成, 所以对压力和温度的变化适应性强, 在额定压力和温度值内不会泄露。

TECHNICAL FEATURES

Superior to the flow capacity of other valves.

The valve seat is designed with compressed air to ensure the balance of pressure difference inside and outside the valve seat, and there is no change in torque for long-term use.

The worm gear adopts imported appearance and is designed with waterproof and dustproof structure up to IP68.

The valve seal is composed of carbonized Teflon and alloy spring, so it can adapt to the changes of pressure and temperature. Strong resistance, no leakage within the rated pressure and temperature.



因为专注·所以专业
Because focus·So professional

WOSHENG
DN150-DN350
PN25
Model: Q41F-25C
Stem: 20Cr13
Ball: SS304
Seat: PTFE+20%GF
Tmax: -29~200° C
江苏沃圣阀业有限公司

FLANGE WELDED HANDLE BALL VALVE

>> 法兰焊接手柄球阀

Q41F-16~64

口径范围: DN150~DN350

压力范围: PN16~PN64

适用介质: 热水, 蒸汽, 天然气等...

应用领域: 供热, 电力, 化工, 冶金

Diameter range: DN150 ~ DN350

Pressure range: PN16 ~ PN64

Applicable media: hot water, steam, natural gas, etc

Application fields: heating, electric power, chemical industry, metallurgy

技术特点

全通径结构设计阀门无阻力。

法兰安装, 拆装方便。

手柄镀铬处理, 可保证20年不生锈。

TECHNICAL FEATURES

Full bore structure design, the valve has no resistance.

Flange installation, easy disassembly and assembly.

The handle is chrome plated, which can ensure that it will not rust for 20 years.



FLANGE WELDED TURBINE BALL VALVE >> 法兰焊接蜗轮球阀

Q341F-16~64

口径范围: DN150~DN350

压力范围: PN16~PN64

适用介质: 热水, 蒸汽, 天然气等...

应用领域: 供热, 电力, 化工, 冶金

Diameter range: DN150 ~ DN350

Pressure range: PN16 ~ PN64

Applicable media: hot water, steam, natural gas, etc

Application fields: heating, electric power, chemical industry, metallurgy

技术特点

蜗轮采用进口型外观, 设计防水防尘结构可达IP68。

法兰安装, 拆装方便。

全口径结构设计阀门无阻力。

高平台设计可加装电力和气动、液动驱动装置。

阀颈加长解决法兰式阀门不好保温的情况。

TECHNICAL FEATURES

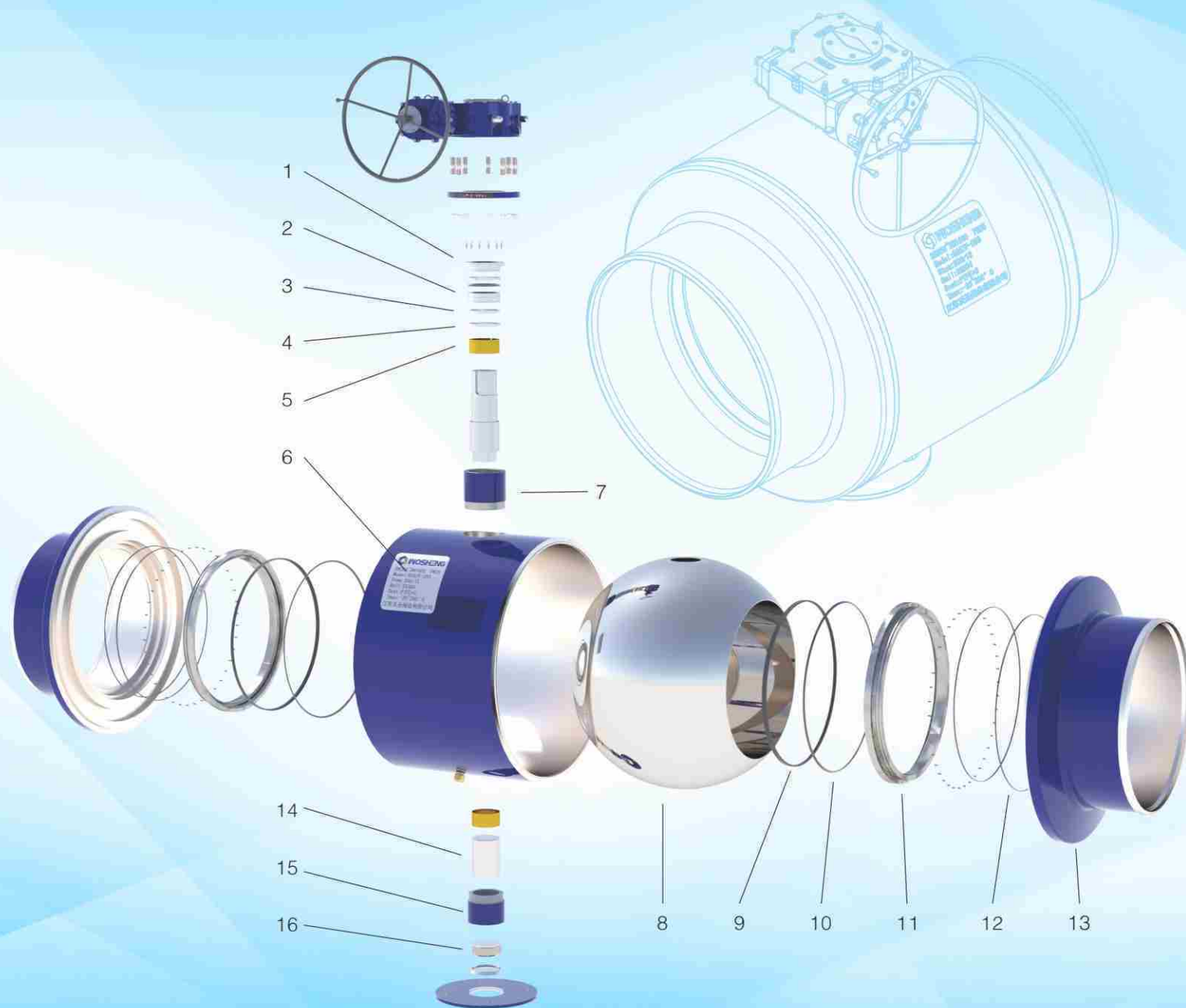
The worm gear adopts imported appearance and is designed with waterproof and dustproof structure up to IP68.

Flange installation, easy disassembly and assembly.

Full bore structure design, the valve has no resistance.

High platform design can be equipped with power and pneumatic/hydraulic drive.

The lengthening of valve neck solves the problem of poor thermal insulation of flange valve.



ALL WELDED FIXED BALL VALVE

>> 全焊接固定球阀

全焊接固定球阀用途

Application of metal hard seal butterfly valve

城市集中供热长输管线、电厂各个主管线

钢铁厂的热水管线、其他行业供热

Urban central heating long distance pipeline, Each line of power plant

Hot water pipeline in steel works

Heating in other industries

零部件材料 COMPONENT MATERIALS

序号 Item	零件名称	Part name	材质 Material
1	无油轴承	Oil-bearing	Fe+PTFE+CU
2	上压盖	Gland	A105
3	填料压套	Packing glands	A105
4	压环	Pressure ring	A105
5	密封组件	Seal assembly	FPM Viton
6	阀体	Body	A105
7	上阀杆	The stem	SS420
8	球体	Sphere	SS304
9	阀座O型圈	Seat O-ring	FPM Viton
10	阀座	Seat	PTFE+C
11	钢阀座	Steel seat	A105
12	弹簧	Spring	Inconel X-750
13	接管	Cnnecting pipe	A105
14	下阀杆	Lower stem	SS420
15	下阀杆套	Lower stem sleeve	A105
16	下阀杆盖	Lower stem cover	A105



因为专注·所以专业
Because focus·So professional

ALL WELDED WORM GEAR FIXED BALL VALVE

>> 全焊接蜗轮固定球阀

Q367F-16~64

口径范围: DN150~DN350

压力范围: PN16~PN64

适用介质: 热水, 蒸汽, 天然气等...

应用领域: 供热, 电力, 化工, 冶金

Diameter range: DN150 ~ DN350

Pressure range: PN16 ~ PN64

Applicable media: hot water, steam, natural gas, etc

Application fields: heating, electric power, chemical industry, metallurgy

技术特点

阀门采用上下轴设计, 开启稳定, 双向在更高压差下稳定运行。

阀门壁厚加强, 更好承受管道的轴向力。

固定球结构, 开启时间缩至更短。

TECHNICAL FEATURES

The valve adopts upper and lower shaft design, which can open stably and operate stably under higher pressure difference in both directions.

The wall thickness of the valve is strengthened to better bear the axial force of the pipeline.

The fixed ball structure reduces the opening time to a shorter time.



因为专注·所以专业
Because focus·So professional

ALL WELDED METAL HARD SEAL BALL VALVE

>> 全焊接金属硬密封球阀

Q(3)61H/Y-16~64

口径范围: DN25~DN600

压力范围: PN16~PN64

适用介质: 热水, 蒸汽, 浆体, 矿料等...

应用领域: 供热, 电力, 化工, 冶金

Diameter range: DN25 ~ DN600

Pressure range: PN16 ~ PN64

Applicable media: hot water, steam, slurry, mineral material, etc

Application fields: heating, electric power, chemical industry, metallurgy

技术特点

金属硬密封球阀球体表面采用硬化处理, 阀座整体用特种硬质合金材料或局部堆焊硬质材料,

所以在阀门的启闭过程中能很好经受介质冲刷, 特别适合于固体颗粒和磨料介质。

除球体表面和阀座表面的特殊表面处理外,

在其它密封材料方面采用柔性石墨、金属缠绕式垫片等, 故能用于高温、高压工况, 并具耐火烧功能。

TECHNICAL FEATURES

The ball surface of metal hard sealed ball valve is hardened, and the valve seat is made of special hard materials or local surfacing hard materials, Therefore, it can well withstand medium scouring during the opening and closing of the valve. It is especially suitable for solid particles and abrasive media, except for the special surface treatment of ball surface and valve seat surface.

In other sealing materials, flexible graphite and metal spiral wound gasket are used, so they can be used under high temperature and high pressure conditions and have fire-resistant burning function.



因为专注·所以专业
cause focus·So professional



边阀体



泄压排污

ALL WELDED THREE PIECE FIXED BALL VALVE

>> 全焊接固定球阀

Q367F-16~64

口径范围: DN350~DN1400

压力范围: PN16~PN64

适用介质: 热水, 蒸汽, 天然气等...

应用领域: 供热, 电力, 化工, 冶金

Diameter range: DN350 ~ DN1400

Pressure range: PN16 ~ PN64

Applicable media: hot water, steam, natural gas, etc

Application fields: heating, electric power, chemical industry, metallurgy

技术特点

阀门采用双向双密封结构, 复合四重密封系统,

实用新型专利号: ZL 2016201339258,

设置泻压排污孔、阀杆防吹出结构、可更换中轴系统,

耐腐蚀、耐高温、抗老化, 与管道同寿命。

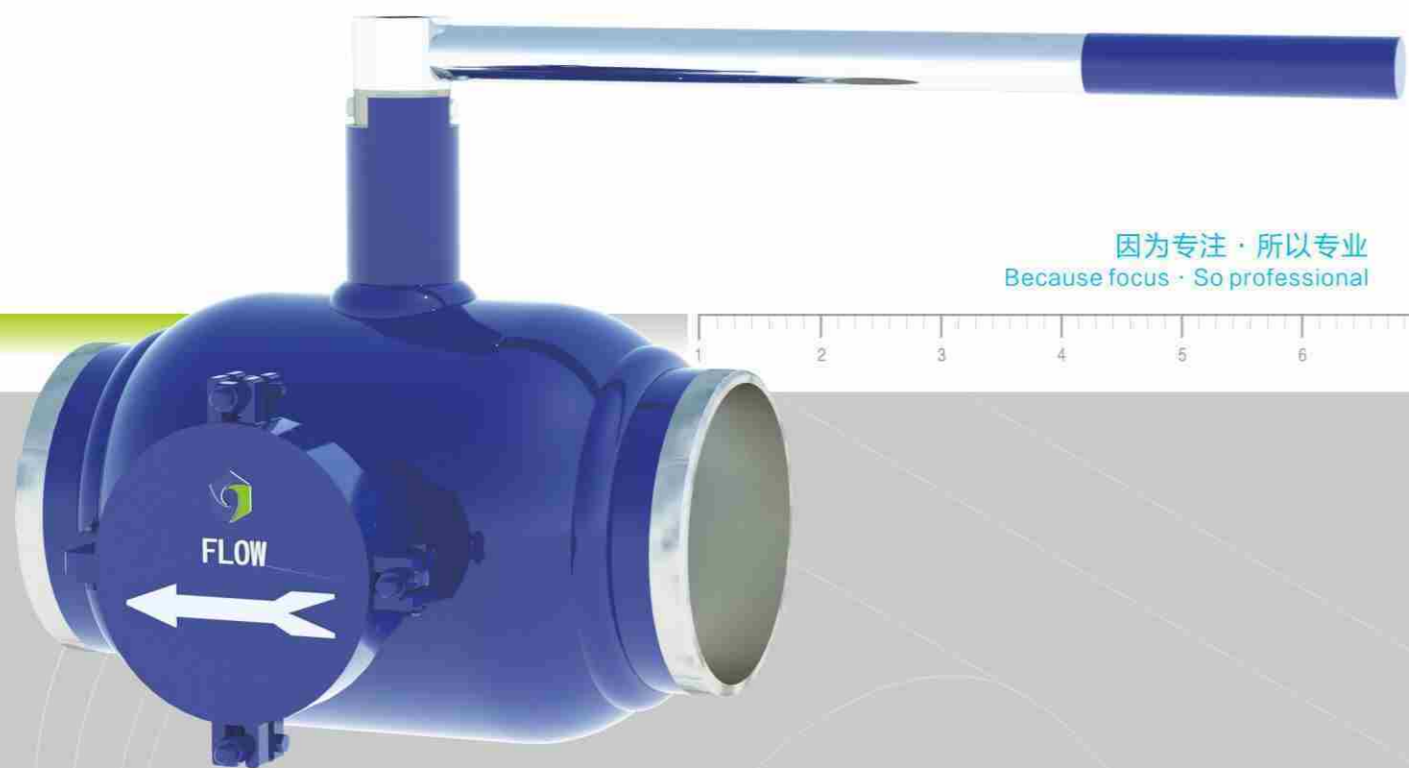
TECHNICAL FEATURES

The valve adopts two-way double sealing structure and composite quadruple sealing system,

Utility model patent No.: ZL 2016201339258,

Pressure relief and blowdown hole, valve stem anti blow out structure, replaceable central shaft system, corrosion resistance,

high temperature resistanceAnti aging, and pipeline life.



因为专注·所以专业
Because focus·So professional

FILTER WELDED BALL VALVE

>> 过滤网焊接球阀

GLQ(3)61F-16~64

口径范围: DN150~DN400

压力范围: PN16~PN64

适用介质: 热水, 蒸汽, 天然气等...

应用领域: 供热, 电力, 化工, 冶金

Diameter range: DN150 ~ DN400

Pressure range: PN16 ~ PN64

Applicable media: hot water, steam, natural gas, etc

Application fields: heating, electric power, chemical industry, metallurgy

技术特点

加装过滤网, 可以在线时时排污, 体积小重量轻, 安装方便。

DN65~DN100 手柄开启, DN125~DN400 蜗轮开启。

实现过滤关断双重作用。

TECHNICAL FEATURES

Equipped with filter screen, it can discharge sewage online at any time, with small volume, light weight and convenient installation.

Dn65~dn100 handle is opened and dn125~dn400 worm gear is opened.

Realize the dual function of filtering and shutdown.



因为专注·所以专业
Because focus·So professional

ALL WELDED THREE-WAY BALL VALVE

>> 全焊接三通球阀

QT361F-16~64

口径范围: DN50~DN350

压力范围: PN16~PN64

适用介质: 热水, 蒸汽, 天然气等...

应用领域: 供热, 电力, 化工, 冶金

Diameter range: DN50 ~ DN350

Pressure range: PN16 ~ PN64

Applicable media: hot water, steam, natural gas, etc

Application fields: heating, electric power, chemical industry, metallurgy

技术特点

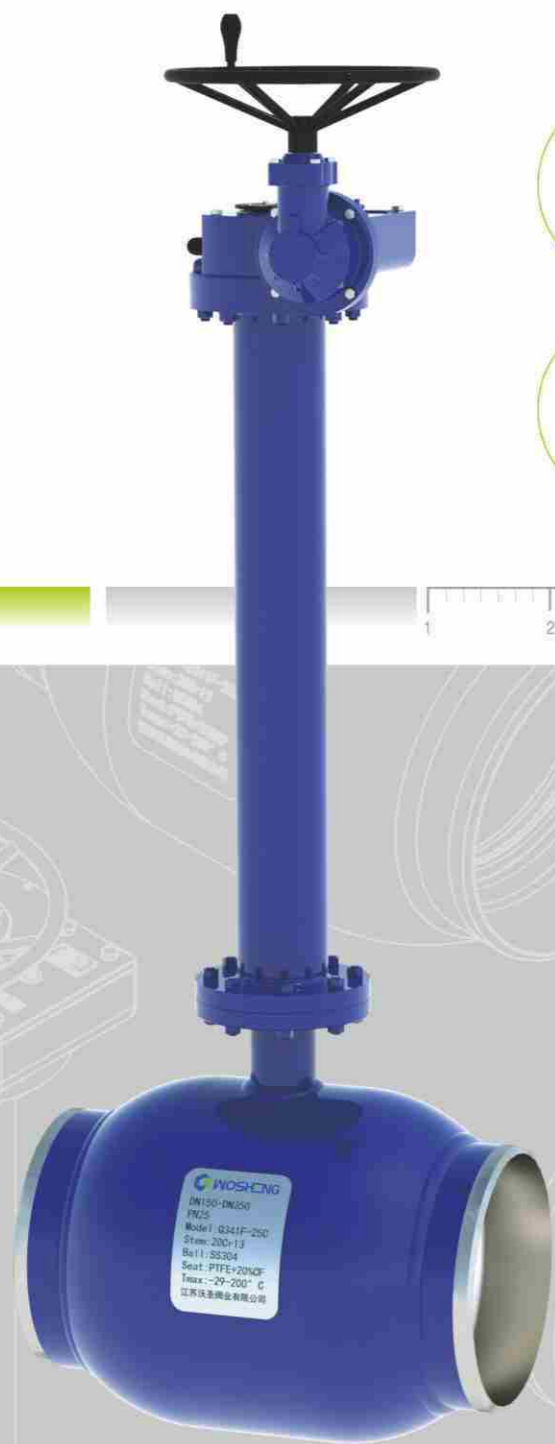
T型三通球体结构设计。

可实现管道流向变更或关断。

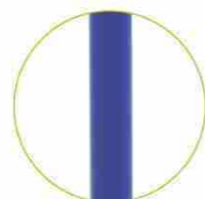
TECHNICAL FEATURES

T-type tee ball structure design.

Pipeline flow direction change or shutdown can be realized.



开启方向选择



可定制高度

因为专注·所以专业
Because focus·So professional



ALL WELDED EXTENSION ROD DIRECTLY BURIED BALL VALVE

>> 全焊接加长杆直埋球阀

ZMQ61/7F-16~64

口径范围: DN50~DN350

压力范围: PN16~PN64

适用介质: 热水, 蒸汽, 天然气等...

应用领域: 供热, 电力, 化工, 冶金

Diameter range: DN50 ~ DN350

Pressure range: PN16 ~ PN64

Applicable media: hot water, steam, natural gas, etc

Application fields: heating, electric power, chemical industry, metallurgy

技术特点

加长杆高度可根据客户需求订制, 不必设立大井节省工程造价。

加长杆高度自管中至顶端, 蜗轮采用全防水结构向上开启。

无需井下作业, 保障人员安全。

TECHNICAL FEATURES

The height of the extension rod can be customized according to the needs of customers.

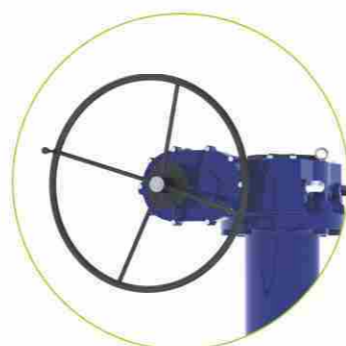
There is no need to set up a large well to save the project cost.

The height of the extension rod is from the middle of the pipe to the top, and the worm gear is opened upward with a full waterproof structure.

No underground operation is required to ensure personnel safety.



因为专注·所以专业
Because focus·So professional



蜗轮头开启
方向可调

ALL WELDED EXTENSION ROD DIRECTLY BURIED BALL VALVE

>> 全焊接加长杆直埋球阀

ZMQ361/7F-16~64

口径范围: DN350~DN1400

压力范围: PN16~PN64

适用介质: 热水, 蒸汽, 天然气等...

应用领域: 供热, 电力, 化工, 冶金

Diameter range: DN350 ~ DN1400

Pressure range: PN16 ~ PN64

Applicable media: hot water, steam, natural gas, etc

Application fields: heating, electric power, chemical industry, metallurgy

技术特点

野外安装无需设井, 可预制保温。

蜗轮可采用电动专用工具开启。

加长杆部位多重密封, 阻止介质外漏。

真正做到一次安装永久使用。

TECHNICAL FEATURES

No well is required for field installation, and thermal insulation can be prefabricated.

The turbine can be opened with a special electric tool.

Multiple seals at the extension rod prevent medium leakage.

Truly achieve one-time installation and permanent use.



ROUND BODY FIXED BALL VALVE TYPICAL STRUCTURE

>> 圆体固定球阀

圆体固定球阀用途

Application of metal hard seal butterfly valve

城市集中供热长输管线、电厂各个主管线

钢铁厂的热水管线、其他行业供热

Urban central heating long distance pipeline, Each line of power plant

Hot water pipeline in steel works

Heating in other industries

零部件材料 COMPONENT MATERIALS

序号 Item	零件名称	Part name	材质 Material
1	左右体	Left and right body	A105
2	挡圈	Retaining ring	PTFE
3	O型圈	O-ring	VITON-B
4	O型圈	O-ring	VITON-B
5	弹簧	Spring	INCONEL X-750
6	钢阀座	Steel seat	A105+ENP
7	密封圈	seal ring	PTFE+C
8	三角圈	Triangular circle	VITON-AED
9	下阀杆套	Lower valve stem sleeve	20#
10	下轴套	Lower shaft sleeve	PTFE+Cu
11	下阀杆	Lower valve stem	S 420
12	阀体	valve body	20#
13	球体	sphere	SS 304
14	上阀杆套	Upper valve stem sleeve	20#
15	上轴套	Upper shaft sleeve	PTFE+Cu
16	O型圈	O-ring	VITON-B
17	上阀杆	Upper valve stem	S 420
18	密封套	Sealing sleeve	20#
19	内六角螺栓	Hexagon socket bolt	35CrMo
20	连接盘	Connecting plate	20#
21	蜗轮	Worm gear	组合件



因为专注·所以专业
Because focus·So professional

ROUND ALL WELDED BALL VALVE

>> 圆体全焊接球阀

QD367F-16~64

口径范围: DN350~DN1400

压力范围: PN16~PN64

适用介质: 热水, 蒸汽, 天然气等...

应用领域: 供热, 电力, 化工, 冶金

Diameter range: DN350 ~ DN1400

Pressure range: PN16 ~ PN64

Applicable media: hot water, steam, natural gas, etc

Application fields: heating, electric power, chemical industry, metallurgy

技术特点

整体全锻件阀体, DIB 软密封或硬密封设计。

背压与中腔压力平衡, 减少阀座球体的摩擦力, 极大的减轻启闭扭矩。

圆弧形内腔设计, 有效防止湍流, 减少水锤现象的发生, 使阀门开关管道无振动。

防火设计、防飞出阀杆。可选的阀门涡轮带锁定装置、外形简单圆润保温效果好。

TECHNICAL FEATURES

Integral full forging valve body, DIB soft seal or hard seal design.

The back pressure is balanced with the pressure in the middle chamber to reduce the friction of the valve seat ball and greatly reduce the opening and closing torque.

Circular arc inner cavity design can effectively prevent turbulence. Reduce the occurrence of water hammer and make the valve opening and closing pipeline free of vibration.

Fireproof design, anti flying valve stem. Optional valve turbine with locking device, simple and round shape, good thermal insulation effect.

No underground operation is required to ensure personnel safety.

“W” IOT BALANCING VALVE

>> “W” 型物联网平衡阀

概述

Summary

沃圣“W”型物联网平衡阀是一款数据采集、控制、信号传输为一体的高端全自动平衡阀，其内置控制与运算单元、采集单元、执行单元、通讯单元（各种通讯方式可选），只需设定相关数据参数（如：回水温度、供回水温差、供回水压差或阀门开度），其即可实现监测与控制操作，大大节省人工成本且控制精确。

连接方式有法兰连接、焊接端连接和螺纹连接可选。

沃圣W型平衡阀是专门为调节整个系统及各分支管路的流量平衡而设计的，是解决暖通系统中的水力平衡问题的重要设备之一。因采用独特设计的呈W状的球型流道口，使其在整个开度范围内均有良好的调节性，实现了等百分比调节。

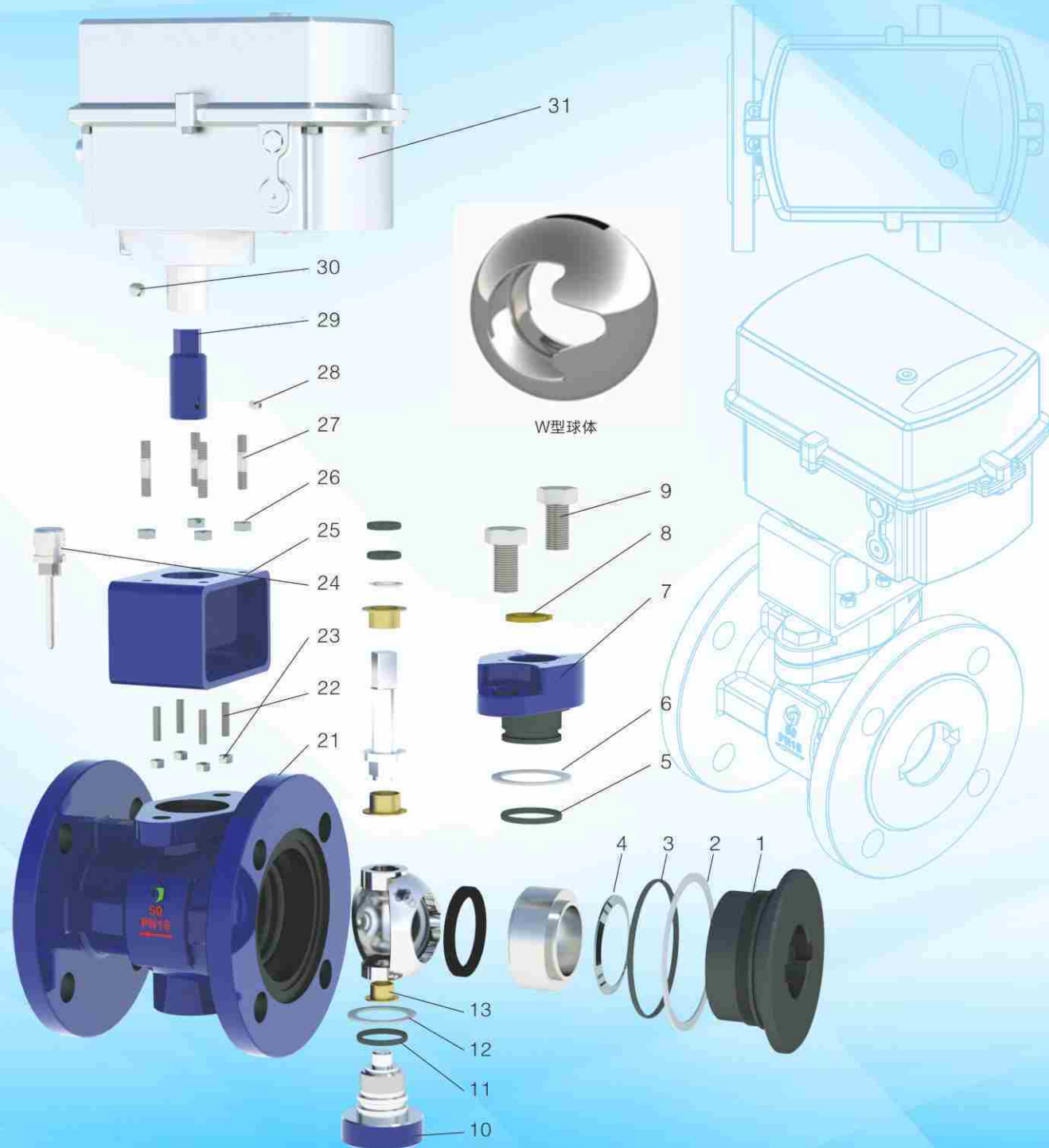
Wosheng “W” internet of things balance valve is a data acquisition device Control The high-end automatic balance valve integrating signal transmission has built-in control and calculation unit, acquisition unit, execution unit and communication unit (various communication modes are optional). It can realize monitoring and control operation by setting relevant data parameters (such as return water temperature, supply and return water temperature difference, supply and return water pressure difference or valve opening), greatly saving labor cost and accurate control.

The connection mode includes flange connection, welding end connection and threaded connection.

Wosheng W-type balance valve is specially designed to adjust the flow balance of the whole system and each branch pipeline. It is one of the important equipment to solve the hydraulic balance problem in HVAC system. Due to the unique design of W-shaped ball flow port, it has good adjustability in the whole opening range and realizes equal percentage adjustment.

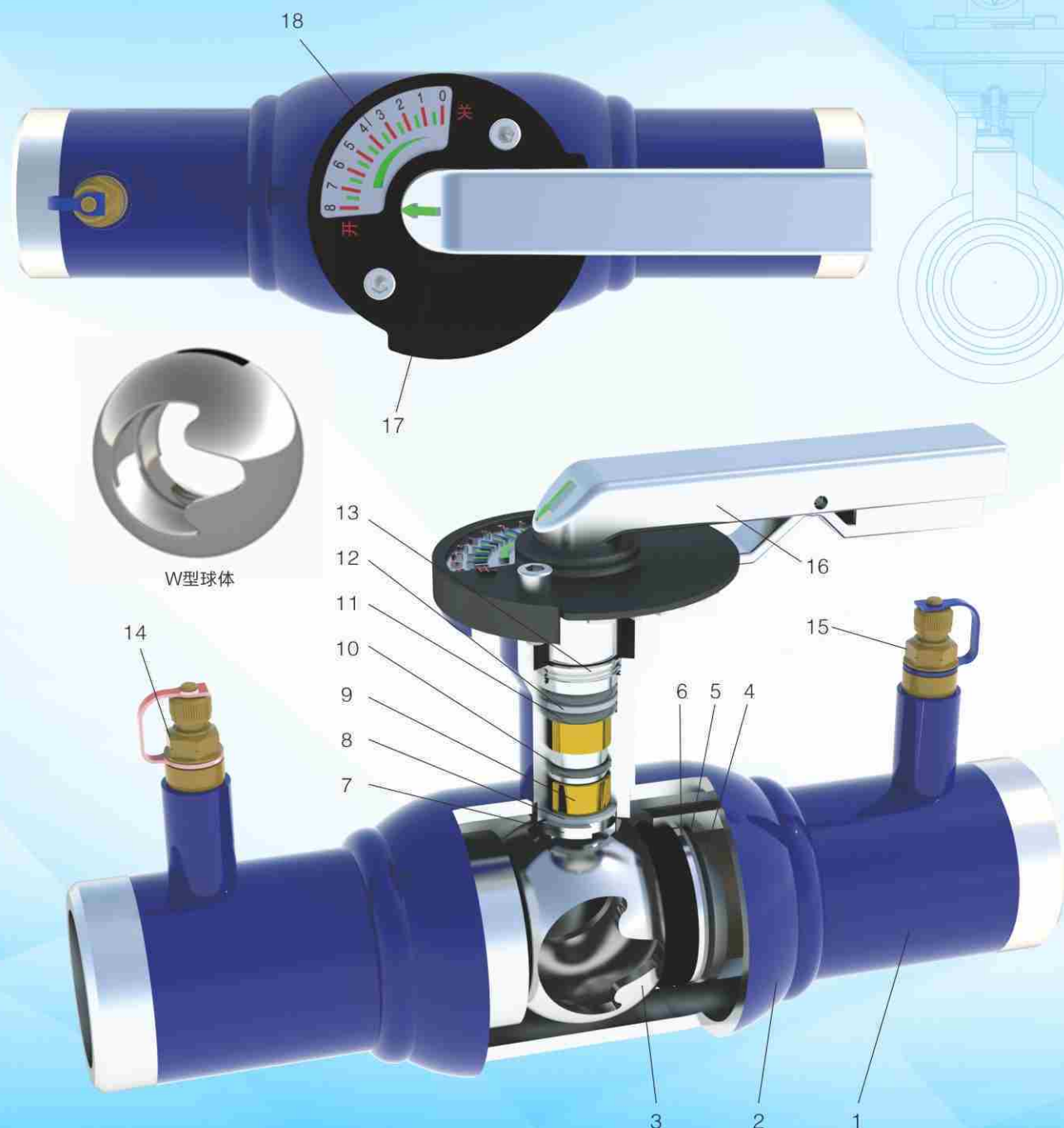
零部件材料 COMPONENT MATERIALS

序号Item	零件名称	Part name	材质 Material	序号Item	零件名称	Part name	材质 Material
1	阀盖	Valve cover	QT450	17	上阀杆	Upper valve stem	SS 420
2	金属缠绕垫	Metal winding gasket	304+石墨	18	填料轴承	Packing bearing	QSn6.5-0.1
3	阀盖O型圈	Bonnet O-ring	VITON	19	卡簧	Snap ring	SS 304
4	波簧	Wave spring	65Mn	20	O型圈	O-ring	VITON
5	O型圈	O-ring	VITON	21	阀体	valve body	QT450
6	金属缠绕垫	Metal winding gasket	304+石墨	22	双头螺柱	Double end stud	35CrMo
7	密封套	Sealing sleeve	QT450	23	六角螺母	Hexagon nut	25CrMo
8	定位片	Positioning piece	20#+Zn	24	测温杆	Temperature measuring rod	SS 304
9	外六角螺栓	Outer hexagon bolt	35CrMo	25	支架	Bracket	Q235A
10	底盖	Bottom cover	A105	26	六角螺母	Hexagon nut	25CrMo
11	O型圈	O-ring	VITON	27	双头螺柱	Double end stud	35CrMo
12	金属缠绕垫	Metal winding gasket	304+石墨	28	紧定螺钉	Set screw	35CrMo
13	下阀杆轴承	Lower stem bearing	复合材料	29	连接套	Connecting sleeve	45#
14	阀座	valve seat	PTFE+25%CF	30	紧定螺钉	Set screw	35CrMo
15	球体	sphere	SS 304	31	物联网执行器	IOT actuator	组合件Assembly
16	上阀杆轴承	Upper stem bearing	QSn6.5-0.1				



"W" INTERNET OF THINGS BALANCE VALVE

>> “W” 型物联网平衡阀



概述 Summary

焊接阀体结构，阀门重量轻，易于保温。

“W” 状球型开口设计，实现全范围等百分比调节。

调节与关断功能完美结合。

阀球和阀杆为不锈钢。

阀杆的防渗漏结构有双层O型密封圈，上层的密封圈可更换。

使用寿命长。

有焊接和法兰多种连接方式供选用。

Welded valve body structure, light weight and easy thermal insulation.

"W" shaped spherical opening design to realize full range equal percentage adjustment.

Perfect combination of regulation and shutdown functions.

The ball and stem are stainless steel.

The anti leakage structure of the valve rod has a double-layer O-ring, and the upper sealing ring can be replaced.

Long service life.

There are welding and flange connection modes for selection.

零部件材料 COMPONENT MATERIALS

序号 Item	零件名称	Part name	材质 Material
1	边管	Side tube	20#
2	阀体	Body	20#
3	球体	Sphere	SS 304
4	碟簧垫圈	Disc spring washer	SS 304
5	碟簧	Disc spring	INCONEL X-750
6	阀座	valve seat	PTFE+C
7	阀杆	Valve stem	20Cr13
8	滑动垫片	Slide Pad	RPTFE
9	润滑轴套	Lubricate the shaft sleeve	Cu+PTFE
10	O型圈	O-ring	VITON
11	填料垫圈	Packing washer	PTFE
12	O型圈	O-ring	VITON
13	填料压盖	Packing gland	SS 304
14	测温测压进口	Temperature and pressure measuring inlet	组合件
15	测温测压出口	Temperature and pressure measuring outlet	组合件
16	手柄	Handle	A3+Cr
17	刻度盘辅件	Dial accessories	PVC塑料
18	刻度盘	Dial	SS 304



因为专注·所以专业
Because focus·So professional

"W" INTERNET OF THINGS BALANCE VALVE

>> “W” 型物联网平衡阀

W6/41F-25

口径范围: DN32~DN250

压力范围: PN16~PN25

适用介质: 热水, 汽体等...

应用领域: 供热, 电力, 化工, 冶金

Diameter range: DN32 ~ DN250

Pressure range: PN16 ~ PN25

Applicable medium: hot water, steam, etc

Application fields: heating, electric power, chemical industry, metallurgy

技术特点

调控方式: 平衡模式、分时模式(日时段及周时段控制)、寒假模式、控温模式

供电方式: 长效锂电池/充电锂电/直流电源(VDC12V)

通讯方式: NB.lot/RS485

连接方式: 法兰连接、焊接端连接、螺纹连接

TECHNICAL FEATURES

Regulation mode: balance mode, time-sharing mode (daily and weekly control), winter vacation mode

Power supply mode of temperature control mode: long-term lithium sub battery, rechargeable lithium battery,

DC power supply (vdc12v)

Communication mode: NB lot/RS485

Connection mode: flange connection, welding end connection and threaded connection



因为专注·所以专业
Because focus·So professional



"W" INTERNET OF THINGS BALANCE VALVE

>> "W" 型物联网平衡阀

W6/41F-25

口径范围: DN32~DN250

压力范围: PN16~PN25

适用介质: 热水, 汽体等...

应用领域: 供热, 电力, 化工, 冶金

Diameter range: DN32 ~ DN250

Pressure range: PN16 ~ PN25

Applicable medium: hot water, steam, etc

Application fields: heating, electric power, chemical industry, metallurgy

技术特点

调控方式: 平衡模式、分时模式(日时段及周时段控制)、寒假模式、

控温模式供电方式: 长效锂电池/充电锂电/直流电源(VDC12V)

通讯方式: NB.Iot/RS485

连接方式: 法兰连接、焊接端连接、螺纹连接

TECHNICAL FEATURES

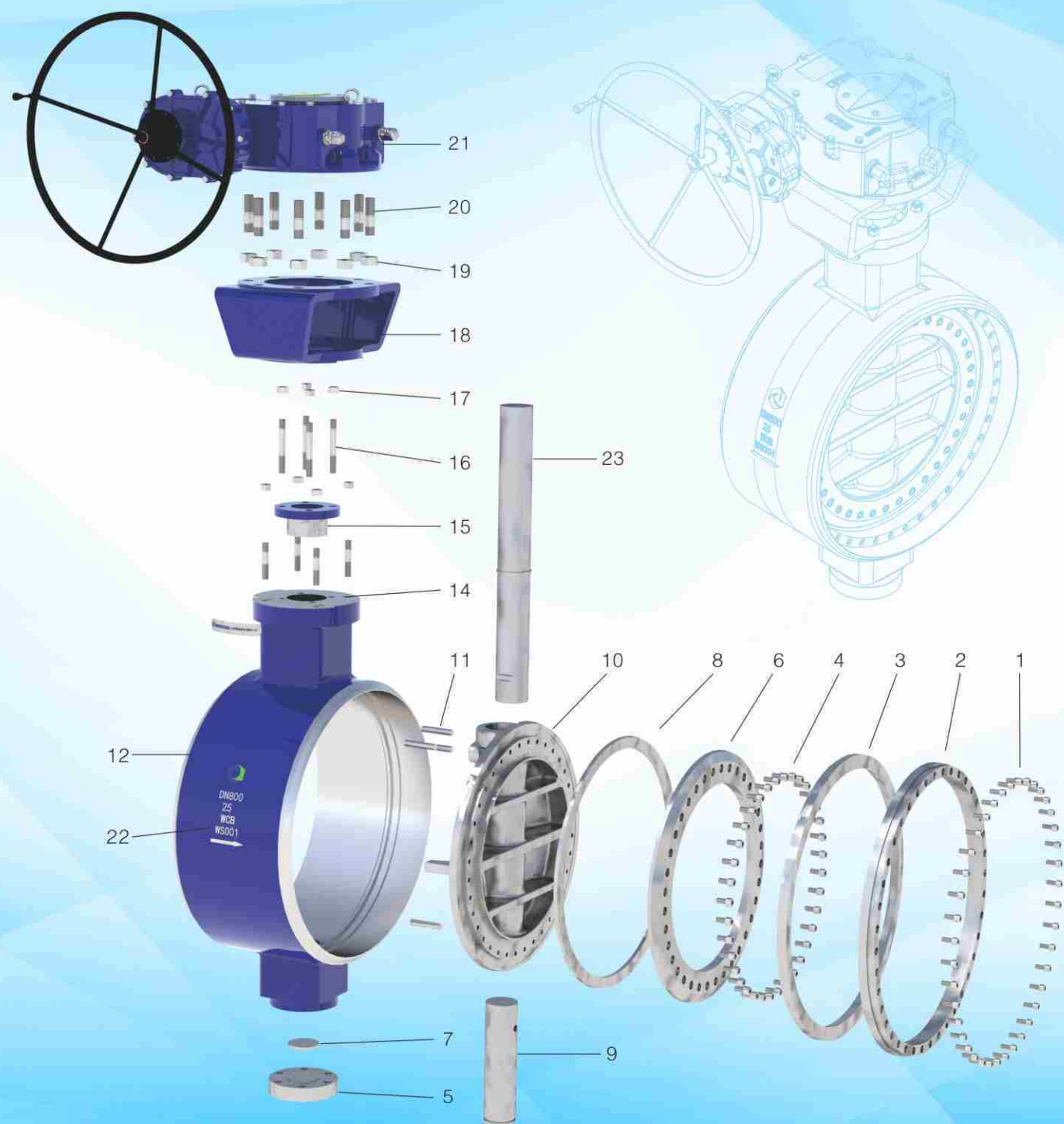
Regulation mode: balance mode, time-sharing mode (daily and weekly control), winter vacation mode

Power supply mode of temperature control mode: long-term lithium sub battery, rechargeable lithium battery,

DC power supply (vdc12v)

Communication mode: NB Iot/RS485

Connection mode: flange connection, welding end connection and threaded connection



BUTTERFLY VALVE

>> 蝶阀

金属硬密封蝶阀用途

Application of metal hard seal butterfly valve

双偏心金属硬密封蝶阀适用于城市供热、供气、供水等煤气、油品、酸碱等管路，作为调节和节流装置。

三偏心金属硬密封蝶阀可广泛用于石油、石化、化工、冶金、电力等领域。

Double eccentric metal hard seal butterfly valve is suitable for city heating, gas supply, water supply and other gas, oil, acid and alkali pipeline, as the regulation and throttling device.

Three eccentric metal hard seal butterfly valve can be widely used in petroleum, petrochemical,

零部件材料 COMPONENT MATERIALS

序号 Item	零件名称	Part name	材质 Material
1	内六角螺栓	Hex Head	06Cr19Ni10
2	三开环	Three ring opening	06Cr19Ni10
3	阀座	Seat	SS 304
4	内六角螺栓	Hex Head	06Cr19Ni10
5	端盖	Flang	06Cr19Ni10
6	压环	压环 Disc Pressure Ring	06Cr19Ni10
7	下轴套	Sleeve	06Cr19Ni10
8	密封环	Seal Ring	合金
9	下阀杆	Shaft	SS 420
10	蝶板	Disc	WCB
11	销	Pin	SS 420
12	阀体	Body	WCB
13	上轴套	Sleeve	06Cr19ni10
14	填料	Packing	Graphite/PTFE
15	填料压盖	Packing Gland	WCB
16	压盖螺栓	Gland Stud	A193 B7
17	压盖螺母	Gland Nut	65Mn
18	支架	Yoke	WCB
19	六角螺母	Nut	A194 2H
20	双头螺栓	Bolt	A193 B7
21	蜗轮	Worm	组合件
22	铭牌	Nameplate	SS 304
23	上阀杆	Up Stem	17-4PH



因为专注·所以专业
Because focus·So professional

BIDIRECTIONAL METAL HARD SEAL BUTTERFLY VALVE

>> 双向金属硬密封蝶阀

D363H/Y-16~64

口径范围: DN80~DN2000

压力范围: PN16~PN64

适用介质: 热水, 蒸汽, LNG, 热油, 天然气等...

应用领域: 供热, 电力, 化工, 冶金

Diameter range: DN80 ~ DN2000

Pressure range: PN16 ~ PN64

Applicable media: hot water, steam, LNG, hot oil, natural gas, etc

Application fields: heating, electric power, chemical industry, metallurgy

技术特点

安装方便, 不存在外漏问题, 与管道同寿命, 便于保温。

全金属的密封面能更好的对抗管道内的颗粒杂质。

特殊的偏心结构设计在阀门启闭过程中无摩擦。

设置了特殊的防火结构。

可更换的阀座, 在长久使用后便于更换。

TECHNICAL FEATURES

It is easy to install without external leakage. It has the same service life as the pipeline and is convenient for thermal insulation.

The all metal sealing surface can better resist the particulate impurities in the pipeline.

The special eccentric structure design has no friction during the opening and closing of the valve.

Special fire protection structure is set.

The replaceable valve seat is easy to replace after long-term use.



因为专注·所以专业
Because focus·So professional

4 5 6 7



BIDIRECTIONAL METAL HARD SEAL BUTTERFLY VALVE >> 双向金属硬密封蝶阀

D343H/Y-16~64

口径范围: DN80~DN2000

压力范围: PN16~PN64

适用介质: 热水, 蒸汽, LNG, 热油, 天然气等...

应用领域: 供热, 电力, 化工, 冶金

Diameter range: DN80 ~ DN2000

Pressure range: PN16 ~ PN64

Applicable media: hot water, steam, LNG, hot oil, natural gas, etc

Application fields: heating, electric power, chemical industry, metallurgy

技术特点

阀门采用三偏心结构, 使阀门在开启或关闭动作过程中, 密封环与阀座之间真正的无摩擦。

密封面采用硬质合金堆焊, 抗腐蚀, 耐冲刷。

可达10万次无故障开启, 极大的延长了阀门的使用寿命。

蝶阀可做到双向等压承压, 最高压力可达16MPa。

温度最高可达570摄氏度, 最低温度可达-196摄氏度。

TECHNICAL FEATURES

The valve adopts three eccentric structure, so that when the valve is opened or closed.

There is no friction between the sealing ring and the valve seat.

The sealing surface adopts hard alloy surfacing, which is corrosion-resistant and erosion resistant.

Up to 100000 times of trouble free opening, which greatly prolongs the service life of the valve.

The butterfly valve can achieve two-way equal pressure bearing, and the maximum pressure can reach 16MPa.

The maximum temperature can reach 570°C and the minimum temperature can reach -196°C.



因为专注·所以专业
Because focus·So professional

INTELLIGENT TEMPERATURE CONTROL DYNAMIC BALANCE VALVE >> 智能温控动态平衡阀

WS-1618A/C

口径范围: DN15~DN50

压力范围: PN16~PN25

适用介质: 热水, 汽体等...

应用领域: 供热, 电力, 化工, 冶金

Diameter range: DN15 ~ DN50

Pressure range: PN16 ~ PN25

Applicable medium: hot water, steam, etc

Application fields: heating, electric power, chemical industry, metallurgy

技术特点

智能动态自适应调节水力平衡。

可远程锁闭。

供电方式: 长效锂电池/充电锂电/直流电源 (VDC12V)

通讯方式: NB.Iot/RS485

TECHNICAL FEATURES

Intelligent dynamic adaptive regulation of hydraulic balance.

It can be locked remotely.

Power supply mode: long-term lithium sub battery / rechargeable lithium battery / DC power supply (vdc12v)

Communication mode: NB Iot/RS485

产品优势 Product advantages

防盗设计 Guard against theft

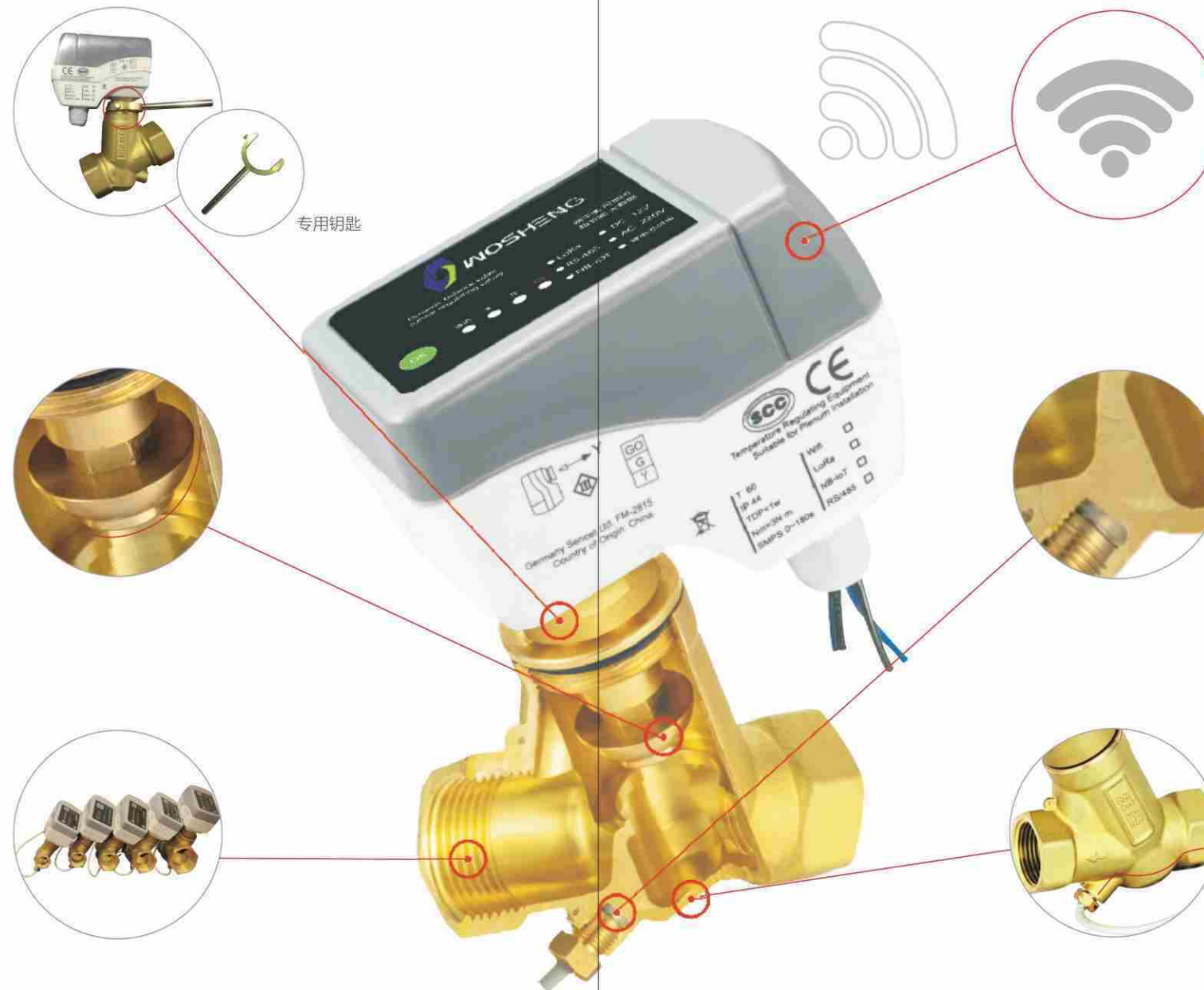
动态平衡阀阀体和执行器由磁性锁设计需要专用钥匙才能打开
The valve body and actuator of the dynamic balance valve are controlled by magnetic
The sex lock design requires a special key to open

专利技术设计的阀芯 Valve core designed with patented technology

阀芯底部锥形设计，直行程，有较好的小流量灵敏度，阀芯行程长，开关阀时需要的力矩小、调节范围大、控制精度高（恒温控制在 ± 0.5 内）。
Conical design at the bottom of the valve core, straight stroke, good small flow sensitivity, long stroke of the valve core, small torque required for opening and closing the valve, large adjustment range and high control accuracy (constant temperature control within ± 0.5).

规格齐全 Complete specifications

DN15-DN50口径
DN15-DN50 Nominal diameter



多种通讯方式 Multiple communication modes

提供RS485, WIFI, NB-IoT Lora通讯方式，适合多种系统的架构，为多种系统提架构提供灵活多变的应用方式。
RS485, WiFi and Nb IOT Lora communication modes are provided, which are suitable for various system architectures and provide flexible application modes for various system architectures.

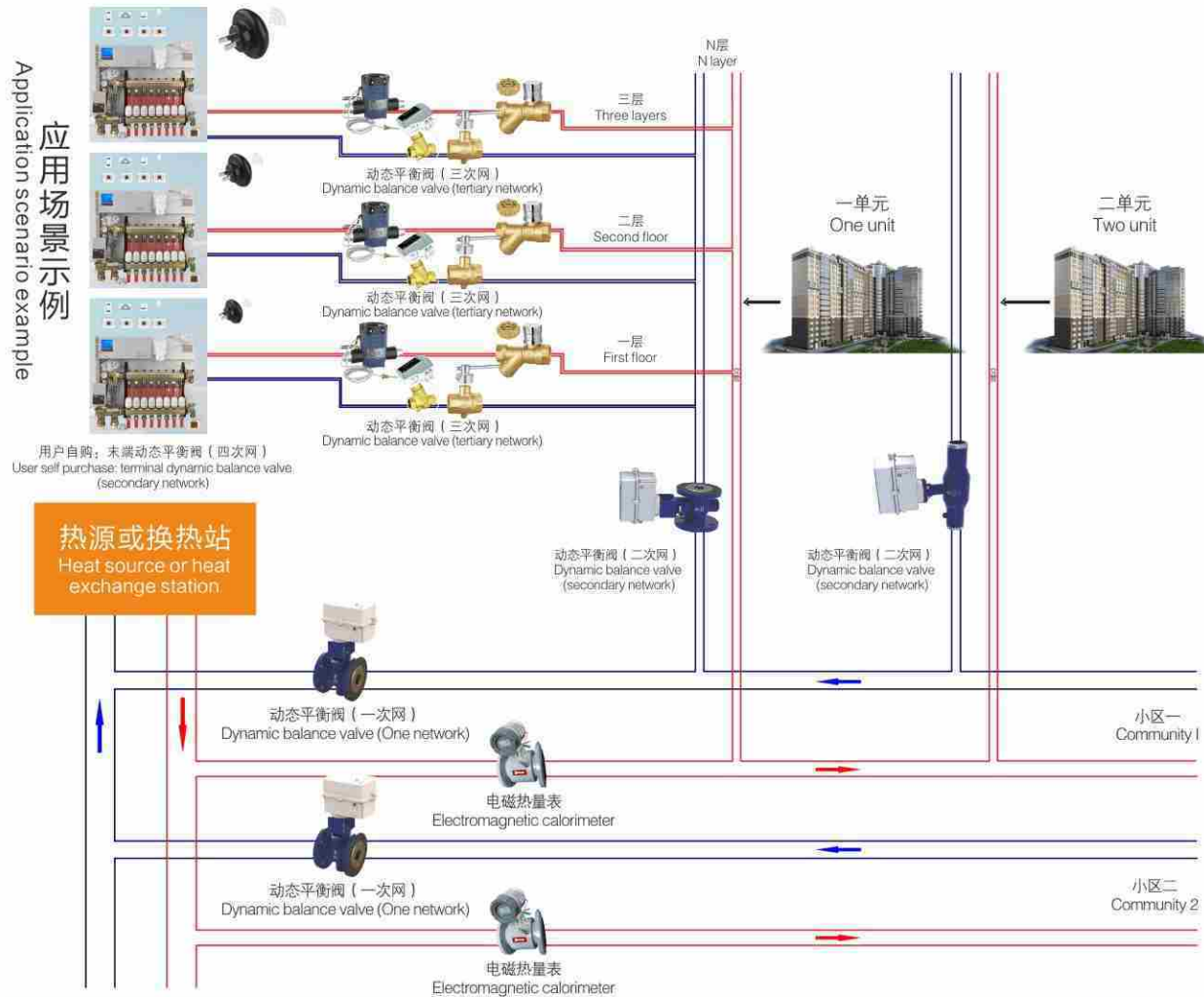
温度传感器 Temperature sensor

采集进回水温度，发送至服务器，温度传感器接口采用盲孔设计，防污垢，导热灵敏，杜绝因二次拆装，产生渗漏。
Collect the inlet and return water temperature and send it to the server. The connection port of the temperature sensor adopts blind hole design to prevent dirt and sensitive heat conduction, so as to prevent leakage due to secondary disassembly and assembly.

阀体 Valve body

底座倾斜设计使流体出口位置和入口位置在同一个平面，线性好，不会引起大湍流，噪音非常低。
The inclined design of the base makes the fluid outlet and inlet in the same plane, with good linearity, no large turbulence and very low noise.

平衡系统联控图 Joint control diagram of balance system



平衡供暖，真的很难吗？ Is it really difficult to balance heating?

2次网我们暂定为单元的立管，那3次网为入户管网，4次网为末端平衡，最理想的是4网通过大数据联动控制天气预报做到真正的动态平衡达到最理想的节能效果，末端平衡，我们通常也叫4次网如果做不到，1-3次网是完全可以做到动态平衡的。

动态平衡阀可根据回水温度动态调整阀门行程，在变量的工况下也可做到小区与小区，单元与单元，户与户统一设定回水温度，结合室内采集器，动态调节回水流量来实现真正的水力平衡，热力公司最头疼的水力平衡问题就解决了。

The secondary network is tentatively defined as the riser of the unit. The third network is the household pipe network, and the fourth network is the end balance. Ideally, the fourth network can achieve real dynamic balance through big data linkage control weather forecast to achieve the most ideal energy-saving effect, and the end balance. We usually call it the fourth network. If we can't do it, the first-third network can achieve dynamic balance.

The dynamic balance valve can dynamically adjust the valve stroke according to the return water temperature. Under the condition of variable flow, it can also set the return water temperature between communities, units and households. Combined with the indoor collector, it can dynamically adjust the return water flow to achieve the real hydraulic balance. The most troublesome hydraulic balance problem of the thermal power company is solved.

工作原理示意图 Schematic diagram of working principle



产品集成回水温度检测功能，同时可根据控制中心下达的供回水温差指令进行调节；通过精准调控回水温度（±0.5内），实现每户用热的均匀分配。

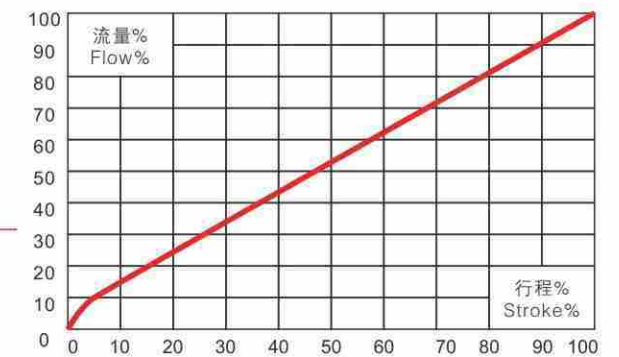
The product integrates the return water temperature detection function, and can be adjusted according to the command of supply and return water temperature difference issued by the control center; By accurately regulating the return water temperature (± 0.5), the uniform distribution of heat per household can be realized.

产品提供RS485、WiFi、NB-IoT Lora通讯方式，适合多种系统的架构，方便客户使用，并可以实现远程控制、修改参数、设定运行曲线等，同时WiFi和NB-IoT支持产品在升级功能。Lora系统具有无线自组网功能，既是终端也是中继，接力远传信号，不会因距离远、隔墙多造成通讯失败。

The product provides RS485, WiFi and Nb Iot Lora communication modes, which are suitable for a variety of system architectures and convenient for customers. It can realize remote control, modify parameters, set operation curves, etc. at the same time, WiFi and Nb Iot support the product online upgrade function. Lora system has the function of wireless ad hoc network. It is not only a terminal but also a relay. It relays remote signals and will not cause communication failure due to long distance and many partitions.

强大的运算和存储功能；32位RAM处理器、16位AD芯片保证超强计算能力和较高的测量精度；较大的不遗失EEPROM，内部可以保存12月的计量数据。

Powerful computing and storage functions; 32-bit ram processor and 16 bit AD chip ensure super computing power and high measurement accuracy; The larger one does not lose EEPROM, and the measurement data of December can be saved internally.



专利技术结构设计，超小流量无死角，反应灵敏；采用工业级的设计标准，有很强的抗干扰性和长久的稳定性；流量完全直线等百分比，阀芯底部锥形设计，具有较好的小流量灵敏度。阀腔设计均匀，运动行程与流量完全成线性关系（直等百分比）；阀芯行程长，使得开关阀时需要的力矩小，不容易卡死；调节范围大（无极调节），控制精度高（±0.5内）。

Patented technical structure design, ultra-small flow, no dead angle and sensitive response; Industrial design standard is adopted, which has strong anti-interference and long-term stability; The flow is completely linear and equal percentage, and the conical design at the bottom of the valve core has good small flow sensitivity. The design of the valve cavity is uniform, and the motion stroke is completely linear with the flow (straight equal percentage); The valve core has a long stroke, which makes the torque required to open and close the valve small and not easy to jam; Large adjustment range (stepless adjustment) and high control accuracy (± 0.5).

江苏沃圣阀业有限公司作为全球流体行业解决方案领域重要的供应商和生产商，一直致力与为电力新能源、石油冶金、化工制药、船舶运输、建筑水利市政工程以及一般工业系统用户提供全套解决方案。凭借全球化的营销网络，完善的质量管理体系，先进的工厂配套能力及丰富的技术经验，沃圣阀门为世界范围内的最终用户提供优质阀门产品。

PROJECT PERFORMANCE

As an important supplier and manufacturer in the solution field of the global fluid industry, Jiangsu wosheng valve industry Co., Ltd. has been committed to providing a full set of solutions for users of electric power, new energy, petroleum metallurgy, chemical pharmacy, ship transportation, construction, water conservancy, municipal engineering and general industrial systems. With global marketing network, perfect quality management system, advanced factory supporting capacity and rich technical experience, wosheng valve provides high-quality valve products for end users all over the world.



电力新能源



石油冶金行业



化工制药行业



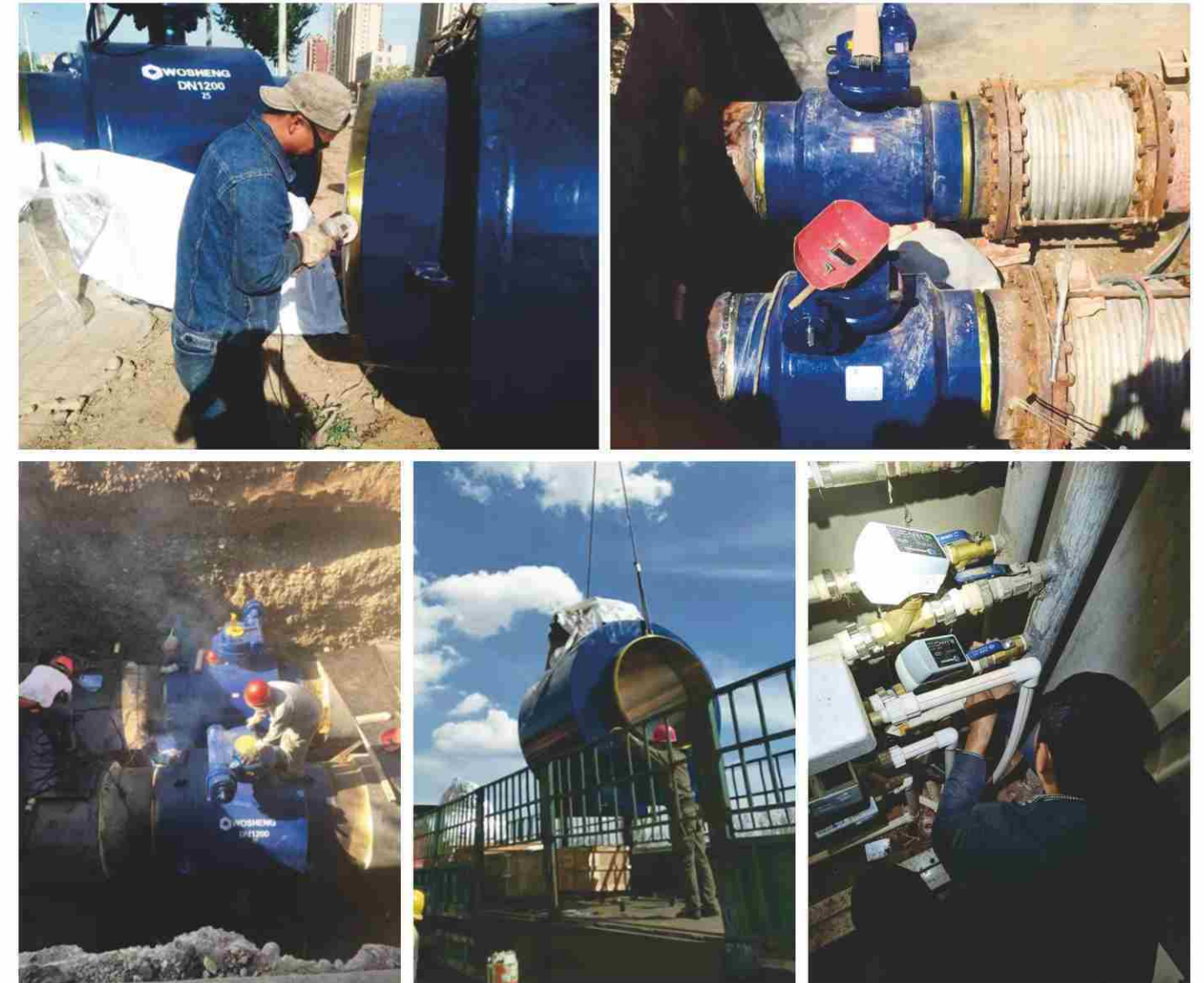
建筑行业



船舶运输行业



水利市政行业



>> 合作伙伴 COOPERATIVE PARTNER

